

ARX308

PXI/ cPCI Portable Chassis



Specification

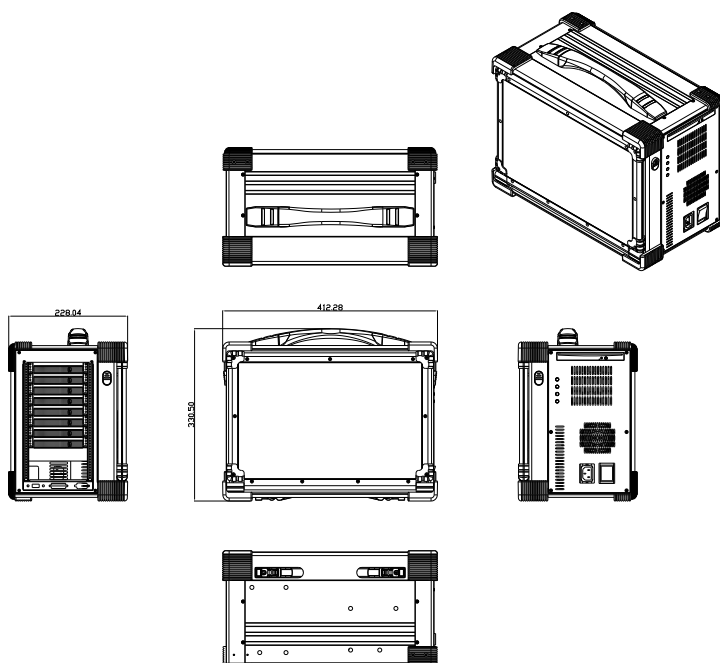
Model No	ARX308
Construction	Aluminum construction with rubber corners
Backplane	3U size, 8-slot PXI backplane Compliant with PXI specification Rev2.0 (PICMG 2.8) Accepts both PXI and CompactPCI 3U module
Accessible slots	1 system slot & 7 peripheral slots
Display	15", 1024x 768 LCD display with touch screen
Drive bay	1 slim DVD-ROM
KB/MS	Multi-language industrial keyboard with touchpad
Power Supply	PS2 400W Power supply
Dimension	412x 330x 228 mm (Wx Hx D)
Weight	12 kgs
Carrying Case	Padded carrying case with wheels

Environmental Factors

	Operating	Non-Operating
Temperature	0°C~50°C	-20°C~60°C
Relative Humidity	10%~90%	10%~95%
Approval	CE, FCC, RoHS	

Features

- Aluminum alloy housing design
- Design for portable instrument applications
- Accepts both 3U PXI and CompactPCI modules
- 3U, 8-slot portable instrument
- Built-in 15" LCD display with touch screen
- One system slot and 7 PXI peripheral slots
- Integrated keyboard and touchpad
- PS2 400W power supply
- Built-in slim DVD-ROM device
- Carrying case to manage portable PC with ease



Ordering Information

ARX308-15USP

15" LCD with touch screen, 8-slot 3U PXI/ CompactPCI portable computer, PS2 400W PSU, carry case