

ARP970

Multi-Slot Portable Computer

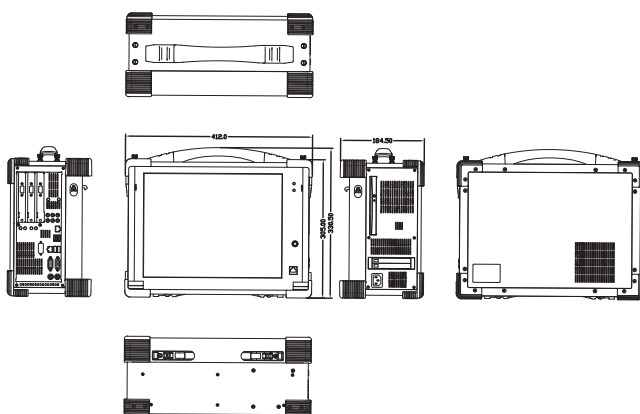


Specification

Model No	ARP970
Construction	Rugged Aluminum Construction with rubber corners
CPU	Intel Core i5-2510E, 3M Cache, 2.50GHz Processors Option: Intel Core i7-2710QE, 6M Cache, 2.10GHz
Chipset	Intel Qm77 Express Chipset
Slot	2x PCI, 1PCI-E (x16) full-length expansion slots Option: 3x PCI-E (x16, x1, x1) full-length expansion slots Option: 3x PCI full-length expansion slots
Display	15" LCD display, 1024x 768 resolution Anti-reflection tempered strengthen glass Option: 15.6" LCD display, 1920x 1080 resolution
Memory	2x 4GB RAM
HDD	1x 500GB 2.5" HDD, 7200 rpm SATA HDD Support 2x 2.5" removable SATA
CDROM	1x Slim DVD-RW
Interfaces	2x DB9 for COM1, COM2, DVI-D + DVI-I, DP 2x Gbit LAN RJ-45, RCA Jack 3x1 for HD audio 2x USB 3.0, 4x USB 2.0 connector
Audio	Intel® Qm77 built-in high definition audio controller With Realtek ALC892 for 7.1 CH audio
LAN	Intel 82579LM Gigabit LAN PHY Intel 82583V Gigabit LAN
Speaker	Built-in amplified 2x 3W speakers
KB/MS	Multi-language industrial keyboard with touchpad
Power Supply	250W, 100~240 VAC, Auto switch
Dimension	412x 330x 184 mm (Wx Hx D)
Weight	9 kgs
Carrying Case	Padded carrying case with wheels

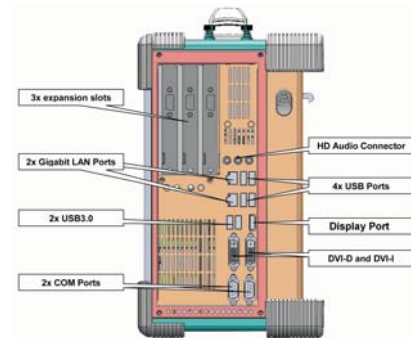
Environmental Factors

	Operating	Non-Operating
Temperature	0°C~50°C	-20°C~60°C
Relative Humidity	10%~90%	10%~95%
Approval	CE, FCC, RoHS	



Features

- All-in-one design rugged portable computer
- Compact Size Lightweight Design
- Built-in 15" LCD display with tempered glass
- Intel Core i5-2510E (2.50 GHz) Processors
Option: Intel Core i7-2710QE Processors
- 250W, 100~240VAC Power Supply
- Industrial Keyboard multi-language with touchpad
- 2x PCI, 1PCI-E (x16) full-length expansion slots
Option: 3 PCI-E (x16, x1, x1) full-length slots
Option: 3 PCI full-length expansion slots
- Built-in 500GB, 2x 2.5" removable SATA
- Keyboard is integrated with the portable to allow closing against the portable for both convenience and protection in transportation
- Large handle provide convenience transportation of the portable with comfort and ease
- Carrying case to manage portable PC with ease



Ordering Information

ARP970-15USC

15" LCD, i5-2510E CPU, 2x 4G RAM, 2 PCI, 1PCI-E(x16), 500G HDD, DVD-RW, 250W, PSU, Carry case

ARP970-15USD

15" LCD, i5-2510E CPU, 2x 4G RAM, 3 PCI-E (x16, x1, x1) slots, 500G HDD, DVD-RW, 250W PSU, Carry case

ARP970-15USE

15" LCD, i5-2510E CPU, 2x 4G RAM, 3 PCI slots, 500G HDD, DVD-RW, 250W PSU, Carry case

Option:

Processor: Intel i7-2710QE

Touch screen

Sunlight readable (High brightness)

Keyboard layout: CH, FR, GR, KR, RU, SP, UK, US