

ARP670

Multi-Slot Portable Chassis



Specification

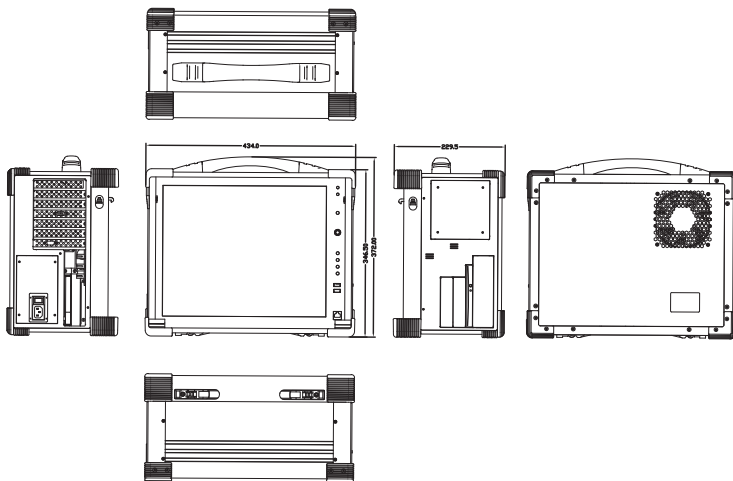
| Model No | ARP670 | ARP670-S |
|---------------|---|----------------------------|
| Construction | Rugged Aluminum Construction with rubber corners | |
| Motherboard | Support ATX motherboard | Support SBC with backplane |
| Slot | Offer 7 full-length slots | Offer 10 full-length slots |
| Display | 17" LCD display, 1280x 1024 resolution Anti-reflection tempered strengthen glass Option: 17.3" LCD display, 1920x 1080 resolution | |
| Drive bay | 2x 5.25", 1x 3.5", 1x slim DVD-RW Option: 1x 5.25", 2x 3.5", 1x slim DVD-RW | |
| VGA | AD conversion board, DVI interface (Option: VGA) | |
| KB/MS | Multi-language industrial keyboard with touchpad | |
| Power Supply | PS2 650W, 100~240VAC, Auto switch | |
| Speaker | Built-in amplified 2x 3W speakers | |
| Dimension | 434x 372x 229 mm (Wx Hx D) | |
| Weight | 12 kgs | |
| Carrying Case | Padded carrying case with wheels | |

Environmental Factors

| | Operating | Non-Operating |
|-------------------|---------------|---------------|
| Temperature | 0°C~50°C | -20°C~60°C |
| Relative Humidity | 10%~90% | 10%~95% |
| Approval | CE, FCC, RoHS | |

Features

- Rugged Aluminum Construction with shock absorbing rubber corners
- 17", 1280x 1024 LCD display with tempered glass
Option: 17.3", 1920x 1080 resolution
- Support ATX Motherboard with 7-slot (ARP670)
Support SBC + backplane with 10-slot (ARP670-S)
- Industrial Keyboard multi-language with touchpad
- PS2 650W power supply, 100~240VAC
- Offer 2x 5.25", 1x 3.5", slim DVD-RW drive bay
Option: 1x 5.25", 2x 3.5", slim DVD-RW drive bay
- Carrying case to manage portable PC with ease



Ordering Information

ARP670-17USA

17" LCD, 7 slots for ATX MB, 2x 5.25", 1x 3.5", 1slim, VGA, Carry case

ARP670-17USB

17" LCD, 7 slots for ATX MB, 1x 5.25", 2x 3.5", 1slim, VGA, Carry case

ARP670-17USAD

17" LCD, 7 slots for ATX MB, 2x 5.25", 1x 3.5", 1slim, DVI, Carry case

ARP670-17USBD

17" LCD, 7 slots for ATX MB, 1x 5.25", 2x 3.5", 1slim, DVI, Carry case

ARP670-S17USA

17" LCD, 10 slots for SBC+PBP, 2x 5.25", 1x 3.5", 1slim, VGA, Carry case

ARP670-S17USB

17" LCD, 10 slots for SBC+PBP, 1x 5.25", 2x 3.5", 1slim, VGA, Carry case

ARP670-S17USAD

17" LCD, 10 slots for SBC+PBP, 2x 5.25", 1x 3.5", 1slim, DVI, Carry case

ARP670-S17USBD

17" LCD, 10 slots for SBC+PBP, 1x 5.25", 2x 3.5", 1slim, DVI, Carry case

Option:

- LCD display: 17.3", 1920x 1080 resolution
- DisplayPort instead of DVI
- Touch screen
- Sunlight readable (High brightness)
- Keyboard layout: CH, FR, GR, KR, RU, SP, UK, US