

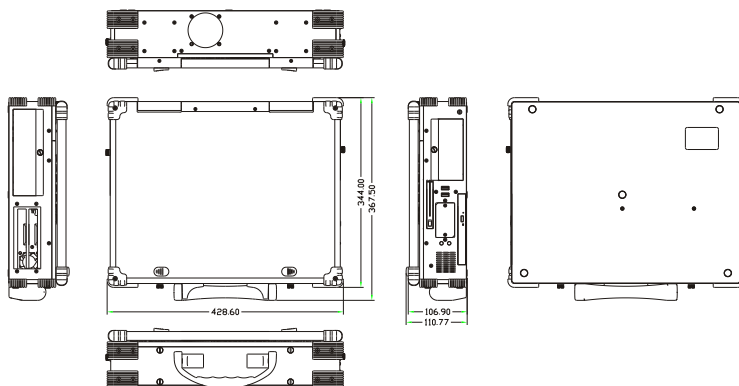


Specification

Model No	ARL992-B
Construction	Rugged Aluminum Construction
CPU	Intel Core i5-7440EQ, 2.9GHz Processors Option: Intel Core i7-7820EQ, 3.0GHz
Chipset	Intel 7th Gen. Core™ i5 /i7 CPU with Intel CM238
Slot	1PCIe (x16), 1PCIe (x1) full-size slots, 1x M.2 (M2280) Option: 2 PCI full-length slots, 1x M.2 (M2280)
Display	17.3" LCD with LED backlight, 1600x 900 resolution Anti-reflection tempered strengthen glass Option: 17.3" LCD, 1920x 1020 resolution
Memory	2x 8GB DDR4 RAM
HDD	SSD 240GB, 1x 2.5" removable SATA
CDROM	1x Slim DVD-RW
Interfaces	2x DB9 for COM1, COM2, DVI-D, HDMI, DP 2x Gbit LAN RJ-45, RCA Jack 3x1 for HD audio 6x USB 3.0 connector
Audio	Intel® CM238 built-in high definition audio controller With Realtek ALC892 codec
LAN	Intel I219LM GbE LAN Intel I211AT PCIe GbE LAN
Speaker	Built-in amplified 2x 3W speakers
KB/MS	Multi-language industrial keyboard with touchpad
Power Supply	2x 95W Li-ION battery Packs (Hot-Swappable) 100W, 90~264 VAC adapter
Dimension	428.6x 110.7x 367.5 mm (Wx Hx D)
Weight	6.8 kgs
Carrying Case	Padded carrying case with wheels

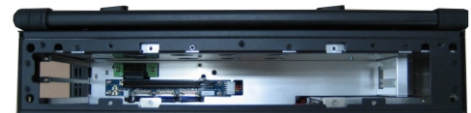
Environmental Factors

	Operating	Non-Operating
Temperature	0°C~50°C	-20°C~60°C
Relative Humidity	10%~90%	10%~95%
Approval	CE, FCC, RoHS	



Features

- All-in-one design rugged portable computer
- Compact Size Lightweight Design
- Built-in 17.3", 1600x 900 LCD display
- Option: 17.3", 1920x 1080 LCD display
- Intel 7th Gen. Core™ i5 /i7 CPU with Intel CM238
- 2x 95W Li-ion battery packs, 100W adapter
- Intel Core i5-7440EQ (2.9 GHz) Processors
- Option: Intel Core i7-7820EQ (3.0 GHz) Processors
- Industrial Keyboard multi-language with touchpad
- PCI-E (x16), PCI-E (x1) slots, 1x M.2 (M2280)
- Option: 2 PCI slots, 1x M.2 (M2280)
- Built-in SSD 240GB, 1x 2.5" removable SATA
- Dual Gigabit Ethernet, 2x COM Port
- Carrying case to manage portable PC with ease



1PCI-E (x16), 1PCI-E(x1) full size expansion slots



2PCI full size expansion slots

Ordering Information

ARL992-B17USA

17.3" LCD, 1600x 900, i5-7440EQ CPU, 2x 8G RAM, SSD 240GB, 1PCI-E (x16), 1PCI-E (x1), DVD-RW, Battery Packs, Carry case

ARL992-B17USB

17.3" LCD, 1600x 900, i5-7440EQ CPU, 2x 8G RAM, SSD 240GB, 2 PCI slots, DVD-RW, Battery Packs, Carry case

Option:

- Processor: Intel i7-7820EQ
- LCD display: 17.3", 1920x 1080 resolution
- Touch screen
- Sunlight readable (High brightness)
- Keyboard layout: CH, FR, GR, KR, RU, SP, UK, US