

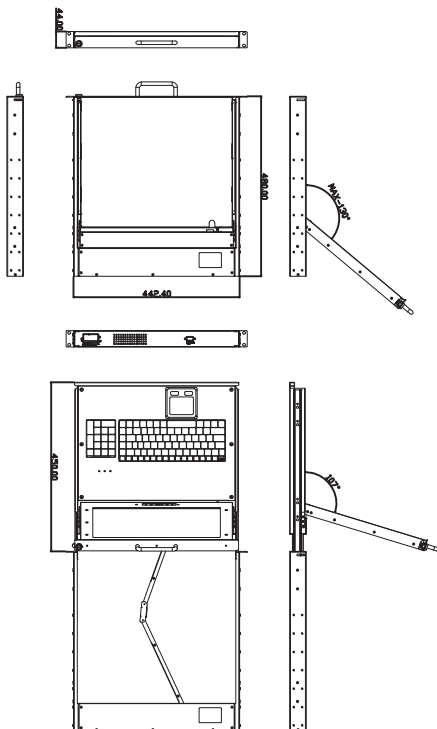
# AMK801-17W

1U, Single Slide Rail  
17.3", 1920x 1080 LCD Keyboard Drawer



## Features

- 1U, Single Rail, built-in 17.3" TFT LCD
- Built-in 17.3" FHD LCD Monitor, 1920x 1080 LED backlight, 300 nits, 262K
- USB or PS2 interface for connecting to PC ports
- Includes a key-locking mechanism to prevent unauthorized access
- 104-key industrial keyboard with touch pad
- Provides up to 130-degree monitor rotation for viewing flexibility
- Built-in rail self-locking device
- Tempered glass protect LCD screen



## Specification

Model No	AMK801-17W
Ports switch	VGA D-sub 15 pin, USB or PS/2 keyboard Mouse
Drawer Design	1U, Single Slide Rail self-locking device
Weight	12 kgs
Dimension	442.4 x 44 x 480 mm (W x H x D)
Power Supply	Built-in 60W, 90~264VAC, Operating Temp: -20~70°C
Construction	Heavy-duty steel
Keyboard	104-key industrial keyboard with touchpad Option KB: CH, FR, GR, KR, RU, SP, UK, US
Protection	Tempered glass protect LCD screen
Physical Security	Key locking Mechanism
Power Consumption	3 watts stand-by, 25 watts in-use
Temperature	Operation: 0 ~ 50°C Storage: -20 ~ 60°C
Approvals	CE, FCC class A, RoHS

## LCD Display

Size	17.3"
Resolution	1920x 1080
Contrast Ratio	1000 : 1
Display Colors	262K

## Ordering Information

### AMK801-17WPBUS

1U, 17.3", 1920x 1080 LCD keyboard drawer, PS2 KB/MS with KVM cable

### AMK801-17WUBUS

1U, 17.3", 1920x 1080 LCD keyboard drawer, USB KB/MS with KVM cable

## Option

- USB or PS2 port
- 80W, 24~ 48VDC Power Supply
- Beige RAL7035 Color
- Touch Screen
- Keyboard layout: CH, FR, GR, KR, RU, SP, UK, US